



## **PE-8000 OUTDOOR PRESSURE SENSING ELEMENT**

### **DESCRIPTION**

Model **PE-8000** Pressure Sensing Elements are designed to provide a true outdoor (atmospheric) pressure signal that is not affected by wind induced pressure envelopes. The impact plate keeps flow from directly hitting the sensing holes and creating errors. Their output may be used as a reference for interior building space pressure control. However, the use and location of atmospheric pressure sensors has been the subject of many studies, and all conclude (as does PCI) that their use should be minimized or avoided because of problems associated with varying wind directions and wind gusts. The **PE-8000** must be installed away from higher building structures, at a minimum elevation of 12 ft above the roof line or adjacent parapet.

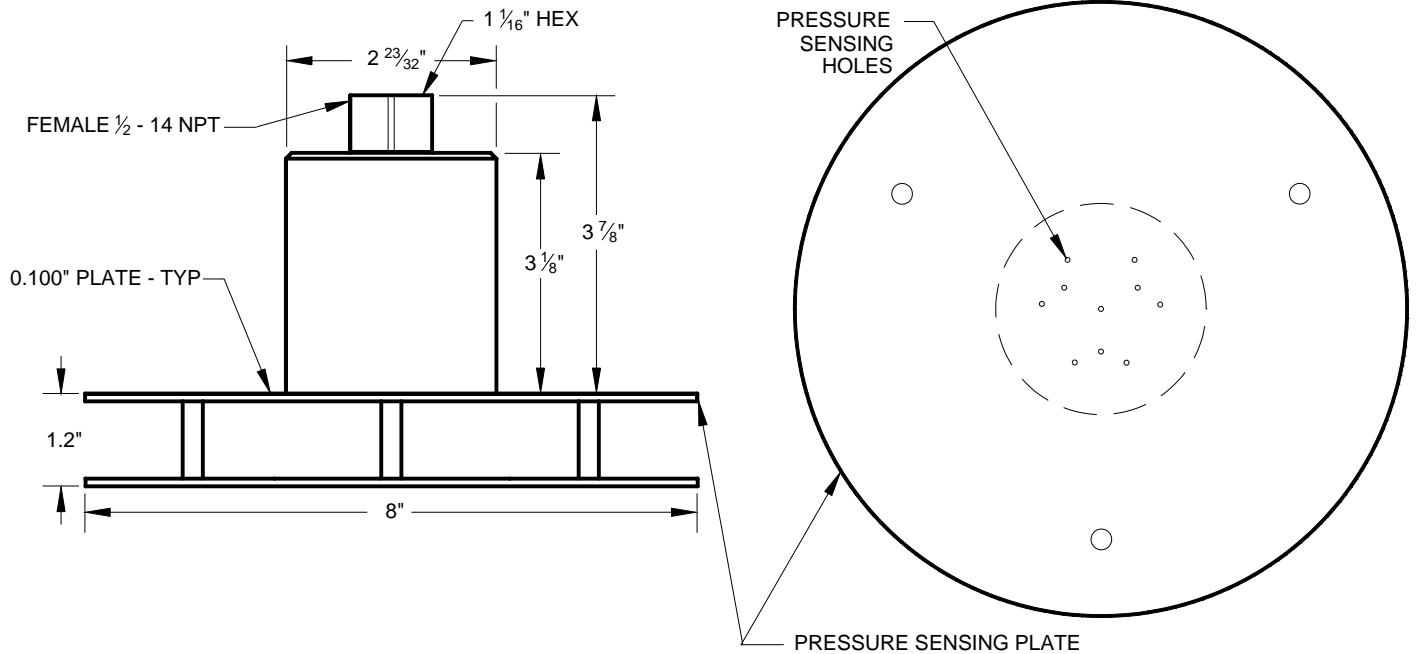
### **Features**

- Provides a true outdoor (atmospheric) pressure signal
- Impact plate that keeps flow from directly hitting the sensing holes and creating errors
- Not effected by wind induced pressure envelopes
- Low signal-to-noise ratio
- Multiple static pressure sensing ports
- Averaging internal manifold
- $\pm 2\%$  accuracy of atmospheric pressure
- Constructed of 6061 aluminum suitable for most applications
- Units are optionally available in Type 304 stainless steel

## PE-8000 Technical Specifications

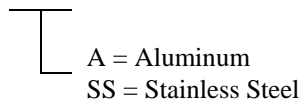
- |  |   |   |
|--|---|---|
| <p><b>1. Accuracy</b><br/>± 2% of atmospheric pressure</p> | <p><b>2. Material</b><br/>6061 aluminum<br/>Type 304 stainless steel (optional)</p> | <p><b>3. Connection Fittings</b><br/>½" NPT</p> |
|--|---|---|

## PE-8000 Dimensions



## PE-8000 Ordering Information

**PE-8000**



## PE-8000 Specification Guide

### Shielded Outdoor (Atmospheric) Pressure Sensing Elements

1. Provide shielded static pressure sensors suitable for exterior mounting, to be utilized as the reference value for space static pressure indication and control. Each sensor is to be complete with multiple sensing ports, pressure impulse suppression, airflow velocity shielding, and a ½" NFPT connection for field mounting and signal transmitting. These sensors are to be constructed of [6061 aluminum] [Type 304 stainless steel].
2. The outdoor air probe shall be capable of sensing the outside atmospheric air pressure to within ± 2% of the actual value when subjected to a radial wind velocity up to 80 miles per hour with approach angles up to 30 degrees to the horizontal.

### Manufacturer

1. Outdoor pressure sensors shall be Paragon Controls Inc. Model PE-8000 or equal as approved by the Engineer.
2. The naming of any manufacturer does not automatically constitute acceptance of his standard product nor waive this responsibility to comply totally with all requirements of the proceeding specification.