



PE-4000, -6000, & -7000 ROOM/SPACE PRESSURE SENSING ELEMENTS

DESCRIPTION

The **PE-4000, -6000, & -7000** are designed to accurately sense room/space static pressure levels and eliminate signal error caused by ambient air turbulence created by occupant motion, operating equipment, or air distribution devices. The output of these sensors is an exceptionally accurate and stable static pressure signal for laboratory; clean, containment, or isolation room differential pressure indication and/or control. The design of the sensing ports and averaging chamber produces instantaneous pressure signals in areas with low terminal velocities (below 150 feet per minute [fpm]), and therefore cannot be located adjacent to diffusers, grills, or room entrances.

The **PE-4000** is designed to fit in a standard electrical utility box; the **PE-6000** and **PE-7000** are designed for surface and flush mounting, respectively, on the ceiling or a wall within the area being monitored.

Features

- Low signal-to-noise ratio
- Multiple static pressure sensing ports
- Averaging internal manifold
- $\pm 1\%$ accuracy of actual pressure
- The PE-4000 is constructed of Type 304 stainless steel
- The PE-6000 and -7000 are constructed of 6061 aluminum suitable for most applications
- PE-6000 and -7000 units are optionally available in Type 304 stainless steel



PE-4000, -6000, & -7000 Technical Specifications

1. Accuracy

± 1% of actual pressure

2. Material

PE-4000

Type 304 stainless steel

PE-6000 & -7000

6061 aluminum

Type 304 stainless steel (optional)

3. Ambient Room Temperature

120°F continuous operation

170°F intermittent operation

4. Humidity

0 to 100% non condensing

5. Corrosion Resistance

Aluminum Sensors

Good salt, air, and mild acid gas resistance; excellent solvent and aromatic hydrocarbon resistance

Stainless Steel Sensors

Good for sulfates, phosphates and other salts, as well as reducing acids such as sulphurous and phosphoric

6. Connection Fittings

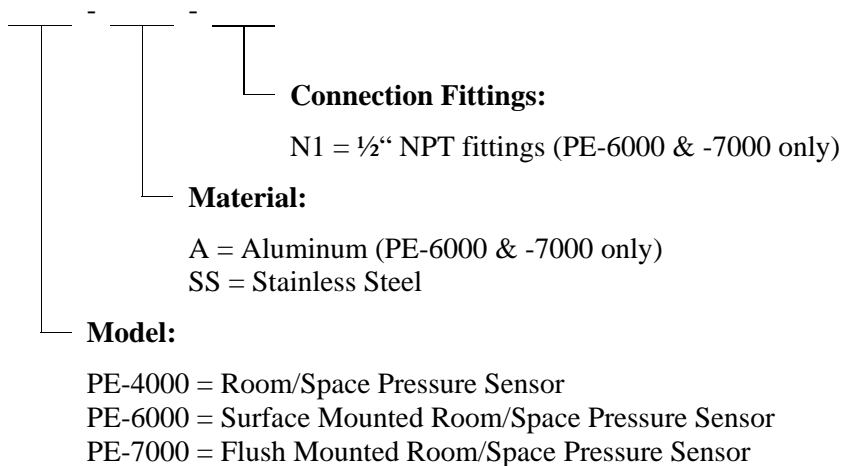
PE-4000

¼" barb connection

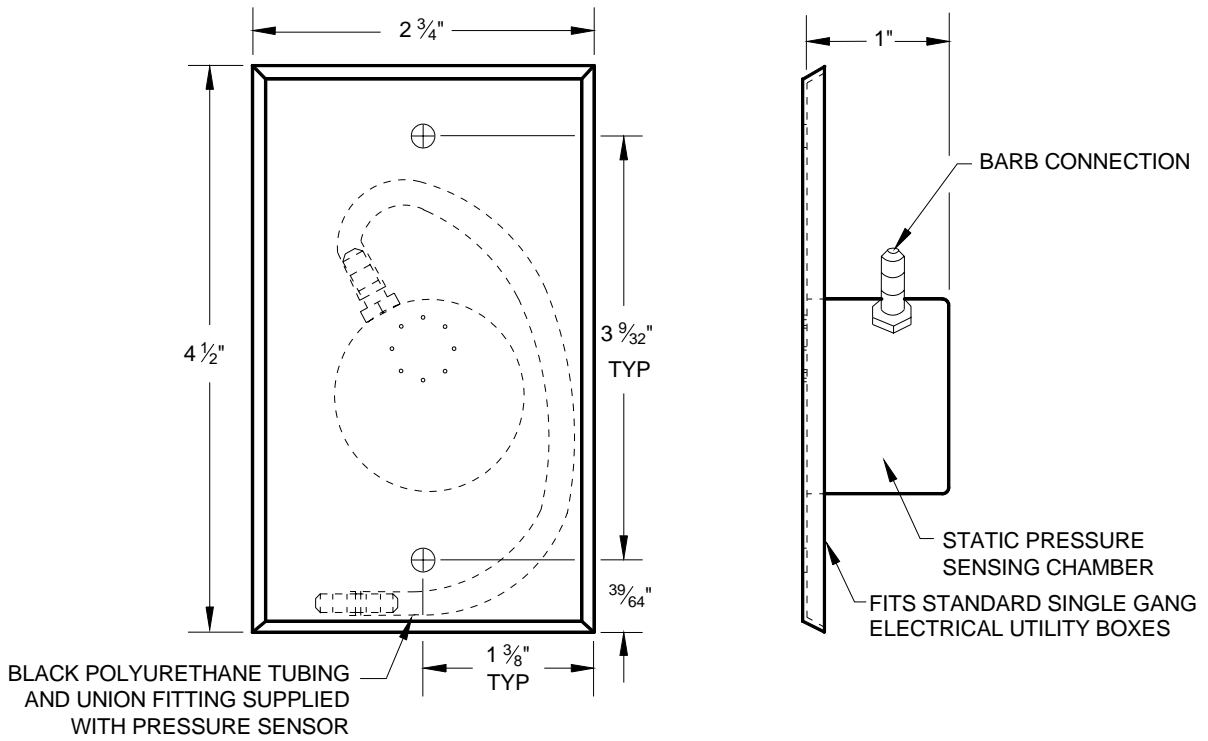
PE-6000 & -7000

½" NPT

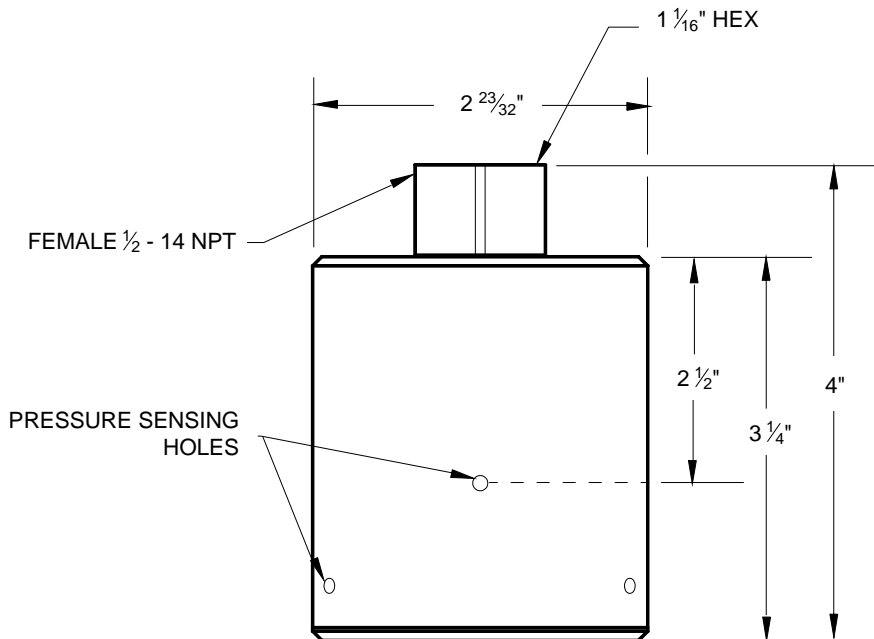
PE-4000, -6000, & -7000 Ordering Information



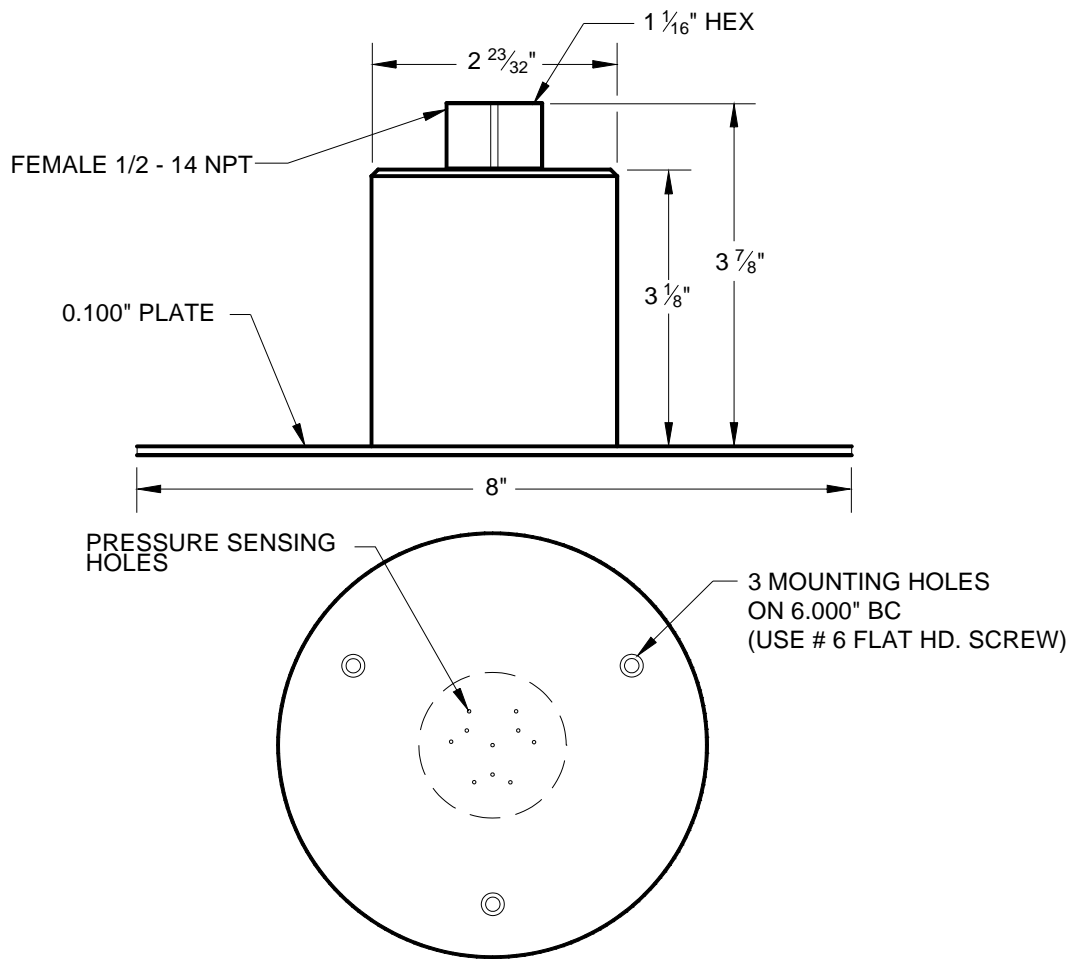
PE-4000 Dimensions



PE-6000 Dimensions



PE-7000 Dimensions



PE-4000, -6000, & -7000 Specification Guide

Room/Space Pressure Sensing Elements

1. Provide space static pressure sensors suitable for surface mounting. Each sensor is to be complete with multiple sensing ports, pressure impulse suppression, and field connection fitting. The sensing unit shall be constructed of [Type 304 stainless steel] [6061 aluminum].
2. These elements shall be capable of sensing the static pressure in the proximity of the sensor to within $\pm 1\%$ of the actual pressure value.

Manufacturer

1. Space static pressure sensors shall be Paragon Controls Inc. Model [PE-4000] [PE-6000] [PE-7000] or equal as approved by the Engineer.
2. Naming of any manufacturer does not automatically constitute acceptance of this standard product nor waive the responsibility of the manufacturer to comply totally with all requirements of the proceeding specification.