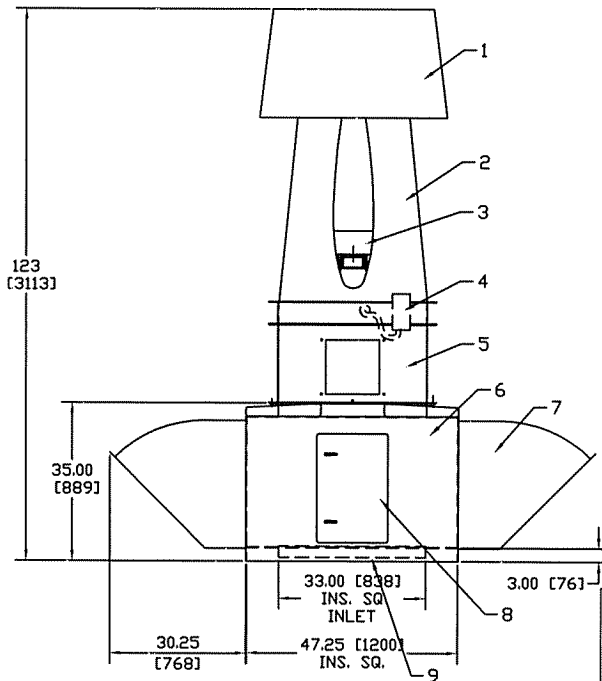


PLAN VIEW



FRONT VIEW

© THIS DRAWING AND DESIGN IS THE EXCLUSIVE PROPERTY OF STROBIC AIR CORP, AND IS COPYRIGHT. IT MUST NOT BE COPIED, OR USED FOR PRODUCTION, OR COMMUNICATED TO A THIRD PARTY, WITHOUT THE EXPRESSED WRITTEN PERMISSION OF THIS COMPANY.

REVISION			
LTR.	DESCRIPTION	DRAWN	CHECKED

NOTES:

1. ENTRAINMENT WINDBAND
 2. TRI-STACK(TM) NOZZLE
 3. MOTOR
 4. DISCONNECT SWITCH
 5. FAN HOUSING
 6. SINGLE-WALLED MIXING PLENUM
 7. BYPASS DAMPER WITH RAINHOOD (TYP-2)
 8. ACCESS DOOR
 9. 33" SQ. DUCT OPENING
- TOTAL WEIGHT: 1487 LBS. [675 KG]

ADDITIONAL NOTES:

- A) A 3" FLANGE IS ADDED TO THE PERIMETER BASE OF THE PLENUM FOR MOUNTING TO A STRUCTURAL BASE (CONCRETE CURB, STRUCTURAL STEEL, ETC.).
- B) STROBIC AIR RECOMMENDS THAT DUCT INLET CONDITIONS FOLLOW SMACNA GUIDELINES TO MINIMIZE SYSTEM EFFECT.
- C) FOR FAN MODELS TS1S100A18 AND TS1S050A12, OVERALL HEIGHT WILL DECREASE BY 1.50".
- D) WEIGHT CALCULATED USING FAN MODEL TS1S150B18. ACTUAL WEIGHTS MAY VARY FROM THIS VALUE.

DIMENSIONS ARE GIVEN IN INCHES (MILLIMETERS)

NOTE: BECAUSE WE ARE CONSTANTLY STRIVING TO IMPROVE OUR PRODUCTS, WE RESERVE THE RIGHT TO PROVIDE VERSIONS OF THESE PRODUCTS WITH SLIGHT VARIATIONS FROM THOSE ILLUSTRATED HERE.

UNLESS OTHERWISE SPECIFIED DIMENSIONS ARE IN INCHES TOLERANCES ARE XX ±.06" ±1" XXX ±.001"	CONTRACT NO.		TS-1 TRI-STACK FAN WITH SMALL NOZZLE ON A BOTTOM INLET PLENUM	
	APPROVALS	DATE	STROBIC AIR CORPORATION A SUBSIDIARY OF MET-PRO CORPORATION 160 CASSELL ROAD, BOX 144 HARLEYSVILLE, PA 19438	
	DRAWN A.B.B.	9/21/00		
MATERIAL	CHECKED E.C.A.	6/11/03	SIZE CODE IDENT. NO. DRAWING NO. B TS1_S_BI_SMN 061103E-3	
FINISH	APR'VD			
	U.S. PATENT NO. 6,431,974		SCALE: N.T.S.	
	U.S. PATENT NO. 6,112,850			
	U.S. PATENT NO. 4,806,706			
	CANADIAN PATENT NO. 1,277,171		SHEET 1 OF 1	